
KIT PART NUMBER 4273120
INSTRUCTIONS FOR INSTALLING A FIELD UPGRADE KIT IN A
FOODKING MERCHANDISER

CHECK THE PARTS RECEIVED IN THE KIT WITH THE PARTS LIST IN THESE INSTRUCTIONS. IF ANY PARTS ARE MISSING, CONTACT THE NATIONAL VENDORS PARTS DEPARTMENT IMMEDIATELY.

Read these instructions carefully before installing the kit.
Keep these instructions for part numbers and for future reference.

This kit contains the following :

PART NUMBER	DESCRIPTION	QUANTITY
4270060	INSTRUCTIONS - INSTALL. - KIT 4273120	1
4273114	VEND DOOR	9
4273115	DOOR STOP & PRICE HOLDER	9
4293013	SCREW - #6 X 1.25 PHS SLOT - S/T	9
4312124	TAPE - FLOCKED - .25" WIDE	86.5"

Part I. Remove Inner Door and Assemblies (see figure 1):

1. Disconnect all electrical connections from the inner door and mark for identification.

NOTE

Removing the inner door is optional, but it is recommended to facilitate ease of assembly.

2. Remove inner door from the cabinet and place the inner door, facing up, on a level surface.
3. Remove sensor cover assembly from the inner door solenoid cover. Do not discard.
4. Remove inner door solenoid cover. Do not discard.
5. Remove the solenoid mounting plate with solenoid and bracket assemblies attached. Do not discard.
6. Remove the holder plate lock tab and two push on retainers. Do not discard.

Part II. Remove Vend Door Assemblies (see figure 2)

1. Remove the tray shields, vend door tracks, vend doors, price tag retainers and the door stop & price holders. Discard the vend doors.
2. Remove the price tag retainers from the door stop & price holders. Save the price tag retainers to use again. Discard the door stop & price holders.

Part III. Install Flocked Tape and “P” Gasket (see figure 3)

1. Peel the backing from the flocked tape and install vertically on the inner door, flush with the inner door opening from the top vend door track to the bottom vend door track, on both vertical inside surfaces.
2. Peel the backing from the “P” gasket. Install the “P” gasket on the vertical length of the cold food door gasket on the hinge side, as shown.

Part IV. Install Vend Doors and Door Stop/Price Holders (see figure 4):

1. Install the price tag retainers removed in step 2 of Part II onto the new door stop & price holders.
2. Install the old vend door tracks and tray shields and the new vend doors, price tag retainers and door stop & price holders. Install the two outside screws only on each vend door track.

Part V. Reassemble and Install the Inner Door (see figure 1)

1. Reinstall the solenoid mounting plate with solenoid and bracket assemblies attached. Install the two inside screws on each vend door track. Use the #6-20 x 1.25 inch long screws with the inner guard bushing in the nine holes that screw into the tray shield, as shown.
2. Reinstall the holder plate lock tab and the two push on retainers removed in step 6 of Part I.
3. Reinstall the inner door solenoid cover removed in step 4 of Part I.
4. Reinstall the sensor cover assembly, removed in step 3 of Part I, on the inner door solenoid cover.
5. On the inner door, seal between the top of the top vend door track and the inner door with silicone sealant. Also, seal between the bottom of the bottom vend door track and the inner door with silicone sealant.
6. Reinstall the inner door on the cabinet. Insure that the door is hung properly by performing the following: loosen the hinge screws, push the door towards the food compartment and while holding the door in, tighten the hinge screws.
7. Test the door seal by placing a piece of paper (a dollar bill, for example) between the door and the mating surface of the cold food box, on the latch side. Close the door and move the paper up or down. If there is any resistance (tugging) when moving the paper, the door seal is good. Perform this test on the top and bottom of the door. If there is no resistance, perform step 6, then retest the door seal.
8. Reconnect all electrical connections disconnected in step 1 of Part I.

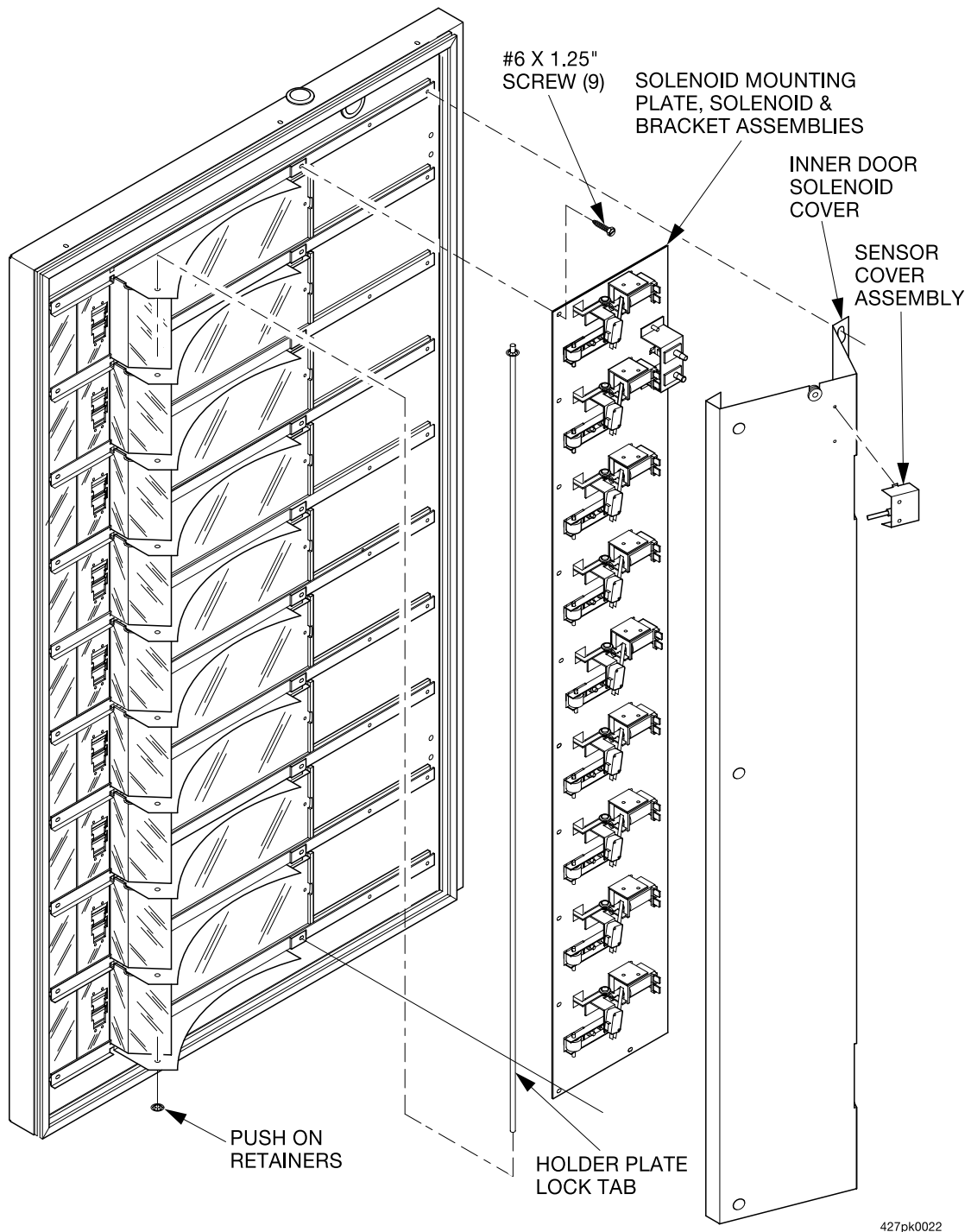


Figure 1

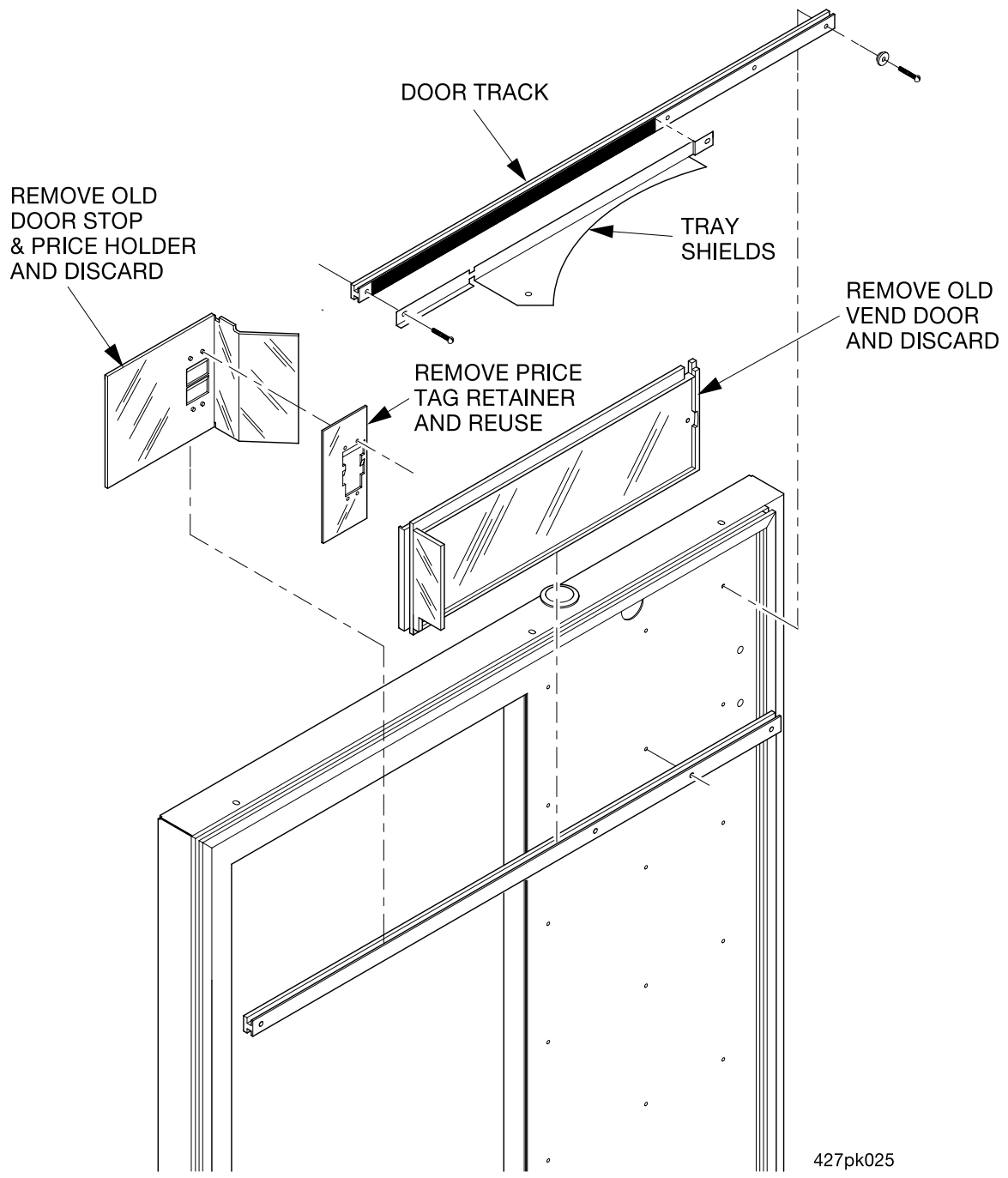


Figure 2

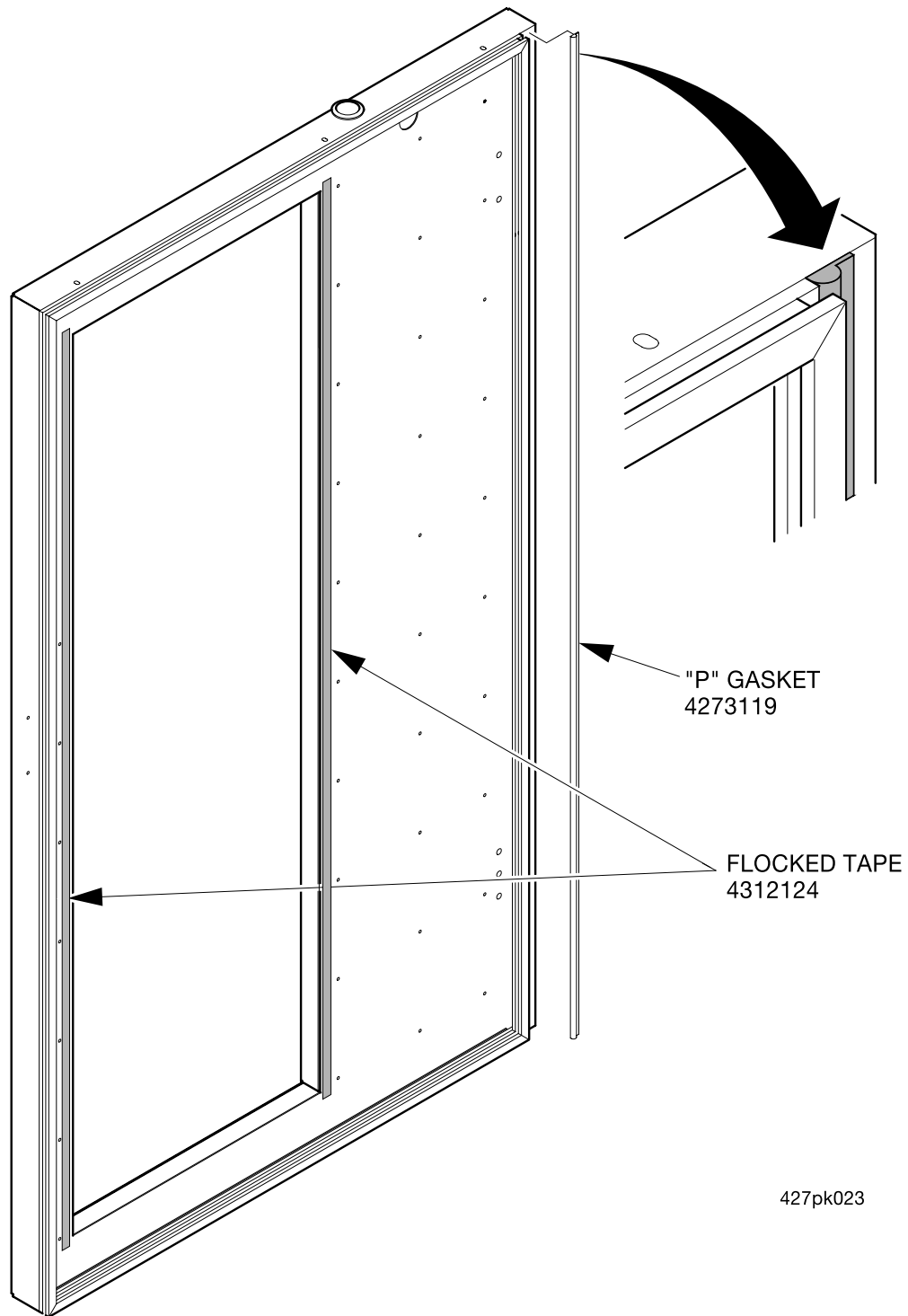
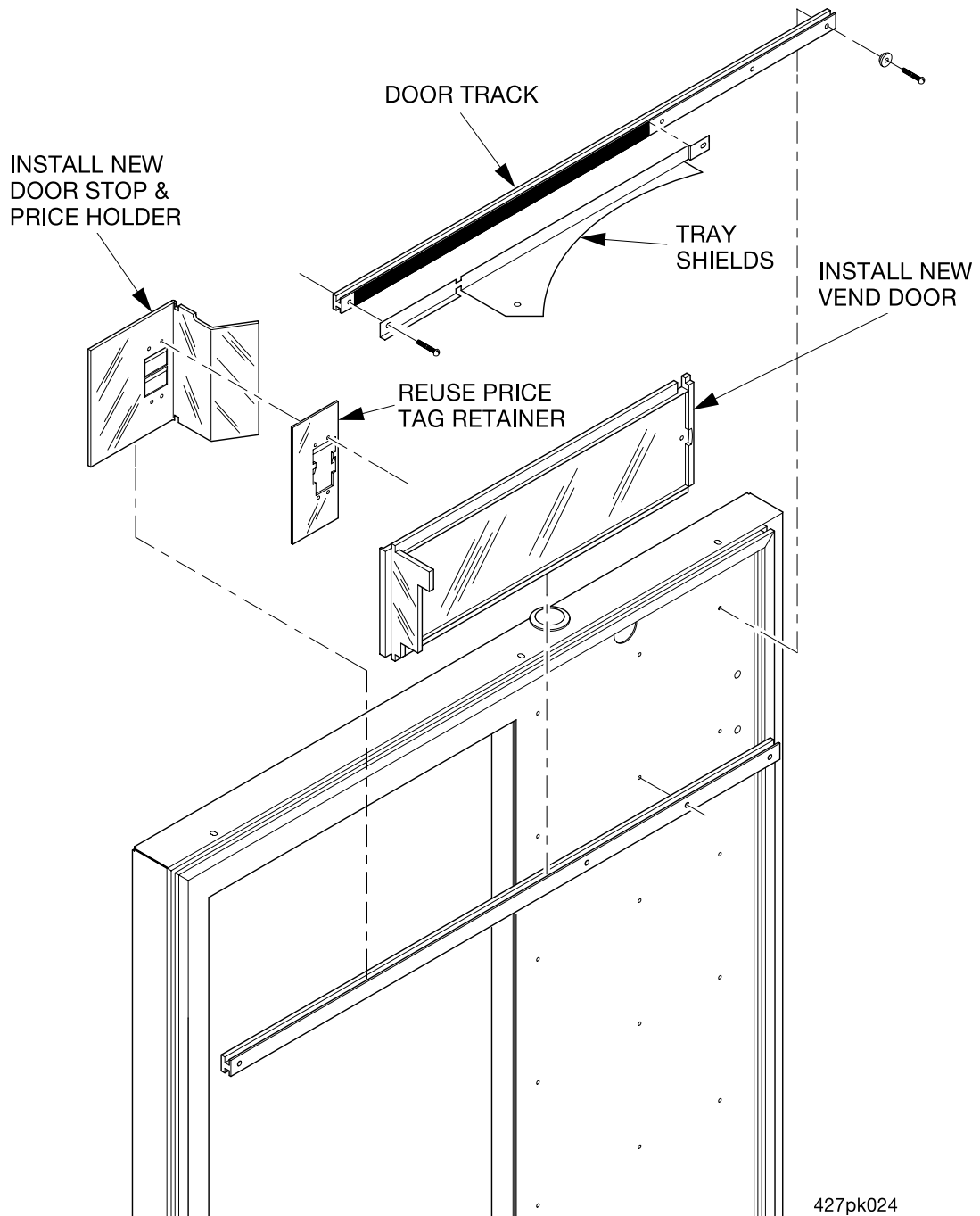


Figure 3



427pk024

Figure 4